



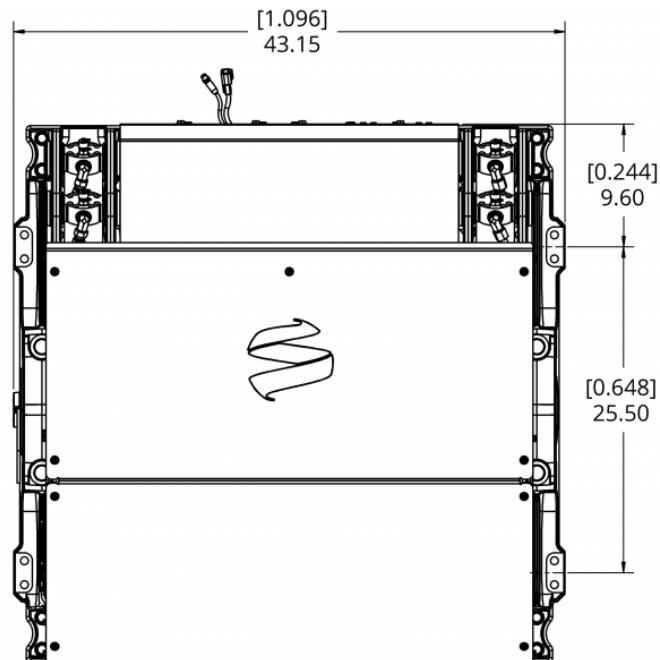
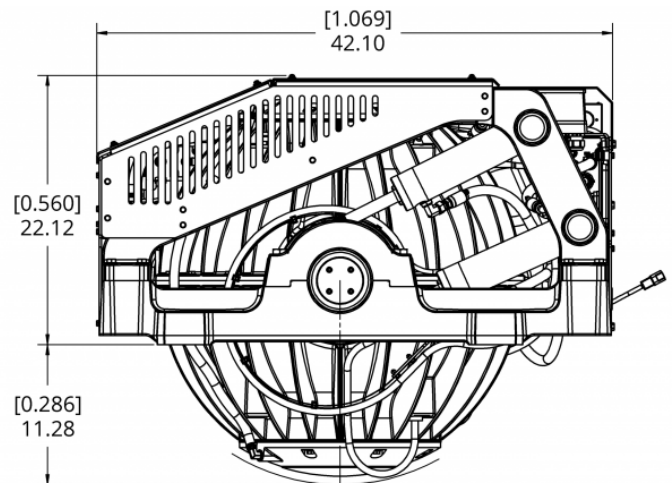
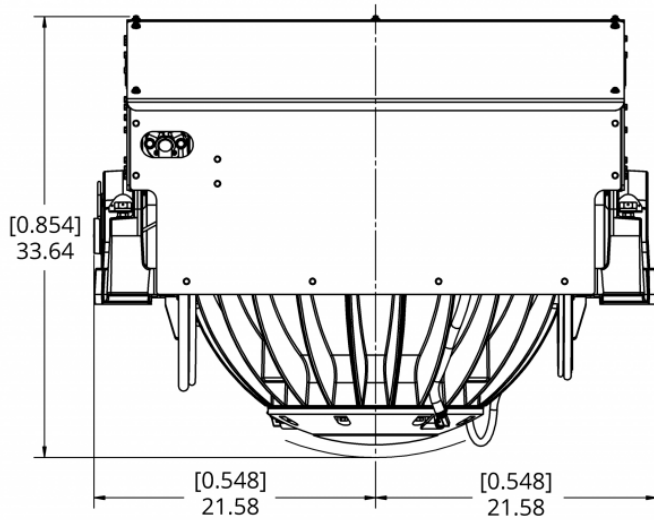
# TECHNICAL SPECIFICATIONS

Max Rated Speed	6,130 RPM
Angular Momentum at Max Rated RPM	16,000 N-M-S
Anti-Rolling Torque at Max Rated RPM	30,720 N-M
Spool-up Time to Max Rated RPM	40 minutes (6,130 RPM)
Spool-up Time to Stabilization	30 minutes (5,210 RPM)
Power Consumption	
Spool-Up Power	3700 Watts Max
Operating Power	2300 - 3700 Watts (Sea State Dependent)
AC Power Input	220 VAC, 50/60 Hz, Single Phase
Control Power	240 Watts
Control Power Input	24 VDC @ 10 Amps
Seawater Pump Power Input Over Current Protection based on installed pump rating	24 VDC @ 10 Amps Max
Seawater Supply to Gyro Heat Exchanger	30 LPM (8 GPM) maximum 15 LPM (4 GPM) minimum
Ambient Air Temperature	0°-60° C (32°-140° F)
Weight	2,270 lbs (1,030 kg)
Envelope Dimensions	42.1 L x 43.1 W x 33.6 H (inches) 1.069 L x 1.096 W x 0.854 H (meters)
Noise Output	61 - 64 dBC at 1 meter

Marine Service Asia offers the details of this device in good faith but cannot guarantee or warrant the accuracy of this information nor warrant the condition of the device.



# DRAWINGS



Marine Service Asia offers the details of this device in good faith but cannot guarantee or warrant the accuracy of this information nor warrant the condition of the device.