



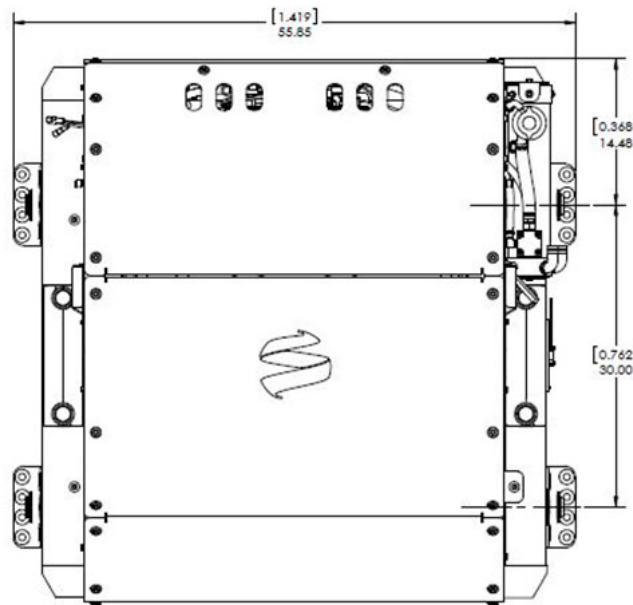
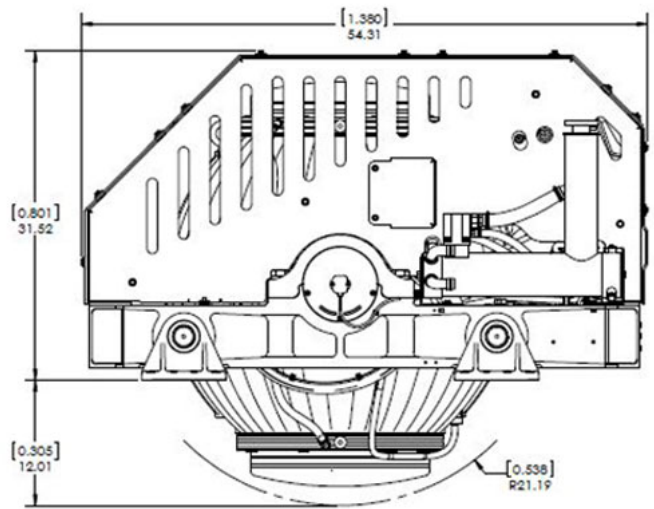
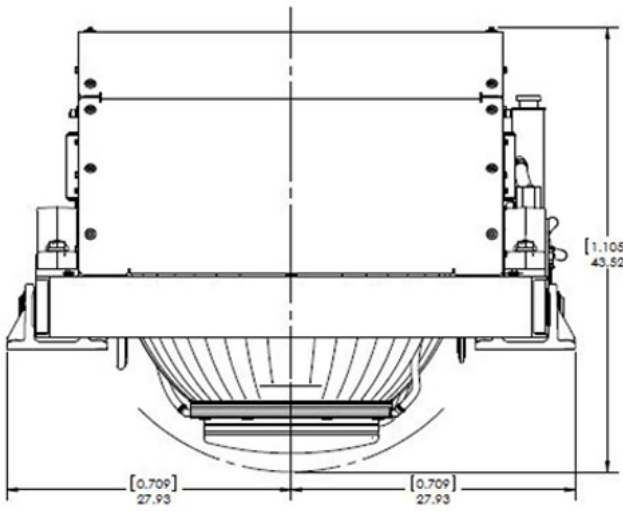
TECHNICAL SPECIFICATIONS

Max Rated Speed	5,150 RPM
Angular Momentum at Max Rated RPM	35,000 N-M-S
Anti-Rolling Torque at Max Rated RPM	73,000 N-M
Spool-up Time to Max Rated RPM	88 minutes (5,150 RPM)
Spool-up Time to Stabilization	64 minutes (4,380 RPM)
Spool-Up Power	
Spool-Up Power	5000 Watts Max
Operating Power	2000 - 5000 Watts (Sea State Dependent)
AC Power Input	220 VAC, 50/60 Hz, Single Phase
Control Power	240 Watts
Control Power Input	24 VDC @ 10 Amps
Seawater Pump Power Input Over Current Protection based on installed pump rating	220 VAC @ 5 Amps Max
Seawater Supply to Heat Exchanger	53.0 LPM (14 GPM) maximum 38.0 LPM (10 GPM) minimum
Ambient Air Temperature	0° - 60° C (32° - 140° F)
Weight	3,920 lbs (1,778 kg)
Envelope Dimensions	52.8 L x 55.9 W x 42.4 H (inches) 1.342 L x 1.419 W x 1.076 H (meters)
Noise Output	72 - 74 dBC at 1 meter

Marine Service Asia offers the details of this device in good faith but cannot guarantee or warrant the accuracy of this information nor warrant the condition of the device.



DRAWINGS



Marine Service Asia offers the details of this device in good faith but cannot guarantee or warrant the accuracy of this information nor warrant the condition of the device.

