



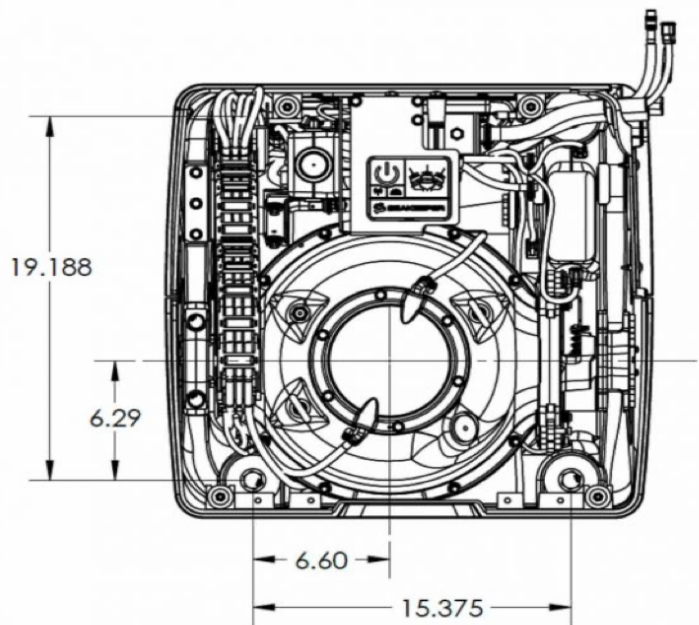
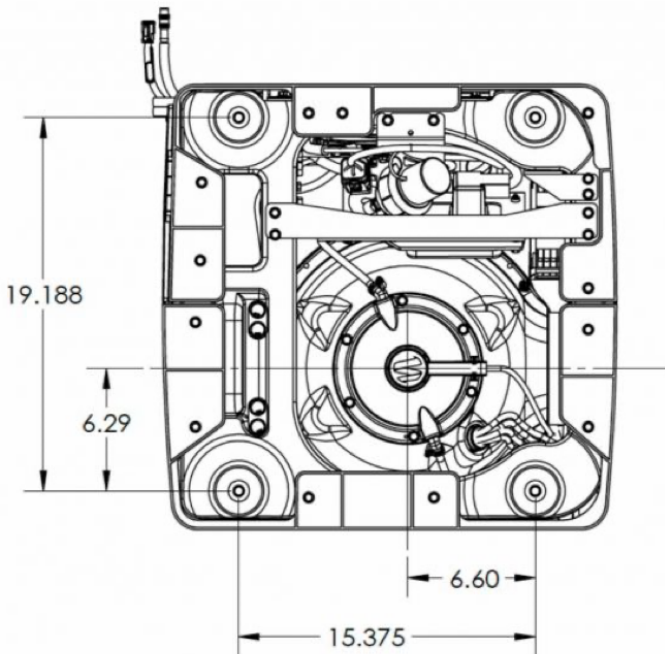
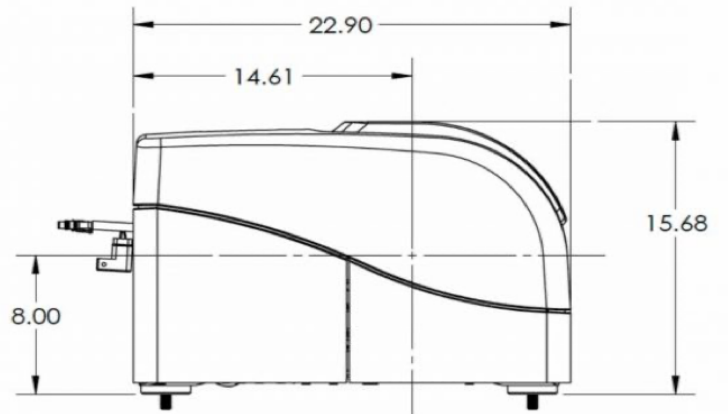
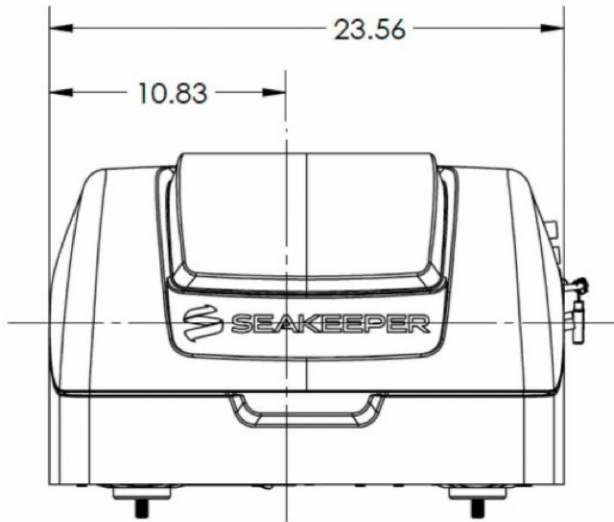
TECHNICAL SPECIFICATIONS

Max Rated Speed	9,750 RPM
Angular Momentum at Max Rated RPM	1,000 N-M-S
Max Anti-Rolling Torque at Max Rated RPM	2,620 N-M
Spool-up Time to Max Rated RPM	30 minutes (9,750 RPM)
Spool-up Time to Stabilization	15 minutes (7,310 RPM)
Power Consumption	
Spool-Up Power	600 Watts Max
Spool-Up Power Input	12 VDC @ 55 Amps
Operating Power	300 - 600 Watts (Sea State Dependent)
Operating Power Input	12 VDC @ 25-50 Amps
Control Power	N/A
Control Power Input	N/A
Seawater Pump Power Input Over Current Protection based on installed pump rating	12 VDC @ 15 Amps Max
Weight	365 lbs (165 kg) Approximately
Envelope Dimensions	22.9 L x 23.6 W x 15.7 H (Inches) 0.582 L x 0.598 W x 0.398 H (meters)
Noise Output	62-64 dBC at 1 meter
Seawater Supply to Heat Exchanger	7.6 LPM (2 GPM) minimum 15.1 LPM (4 GPM) maximum
Ambient Air Temperature	0° - 60° C (32 - 122° F)

Marine Service Asia offers the details of this device in good faith but cannot guarantee or warrant the accuracy of this information nor warrant the condition of the device.



DRAWINGS



Marine Service Asia offers the details of this device in good faith but cannot guarantee or warrant the accuracy of this information nor warrant the condition of the device.