



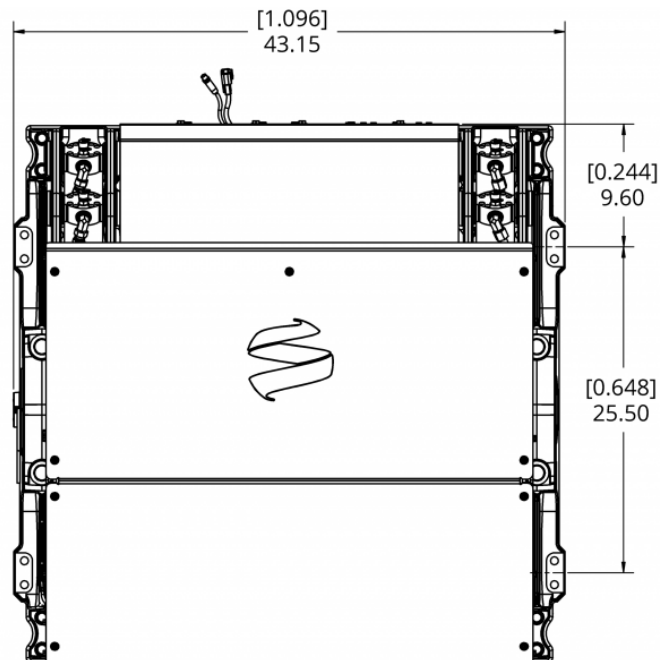
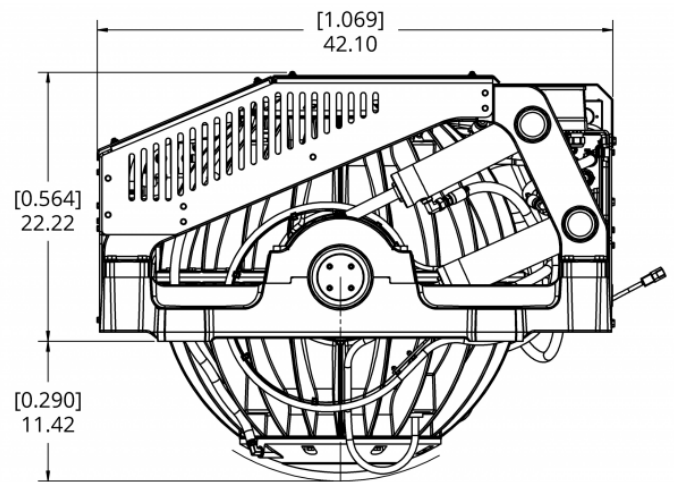
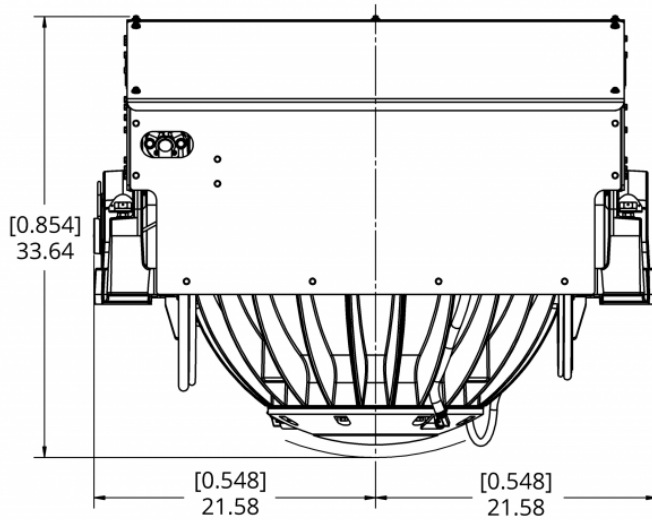
TECHNICAL SPECIFICATIONS

Max Rated Speed	6,150 RPM
Angular Momentum at Max Rated RPM	18,000 N-M-S
Max Anti-Rolling Torque at Max Rated RPM	34,980 N-M
Spool-up Time to Max Rated RPM	45 minutes (6,150 RPM)
Spool-up Time to Stabilization	32 minutes (5,230 RPM)
Spool-Up Power	
Spool-Up Power	3700 Watts Max
Operating Power	1200 - 3700 Watts (Sea State Dependent)
AC Power Input	208 - 230 VAC, 50/60 Hz, Single Phase @ 30 Amps
Control Power	240 Watts
Control Power Input	24 VDC @ 10 Amps
Seawater Pump Power Input Over Current Protection based on installed pump rating	24 VDC @ 10 Amps Max
Seawater Supply to Gyro Heat Exchanger	30 LPM (8 GPM) Maximum 15 LPM (4 GPM) Minimum
Ambient Air Temperature	0° - 60° C (32° - 140° F)
Weight (Approximate)	2,460 lbs (1,116 kg)
Envelope Dimensions	42.6 L x 43.2 W x 32.9 H (Inches) 1.08 L x 1.10 W x 0.84 H (Meters)
Noise Output	66 - 68 dBC at 1 meter

Marine Service Asia offers the details of this device in good faith but cannot guarantee or warrant the accuracy of this information nor warrant the condition of the device.



DRAWINGS



Marine Service Asia offers the details of this device in good faith but cannot guarantee or warrant the accuracy of this information nor warrant the condition of the device.

