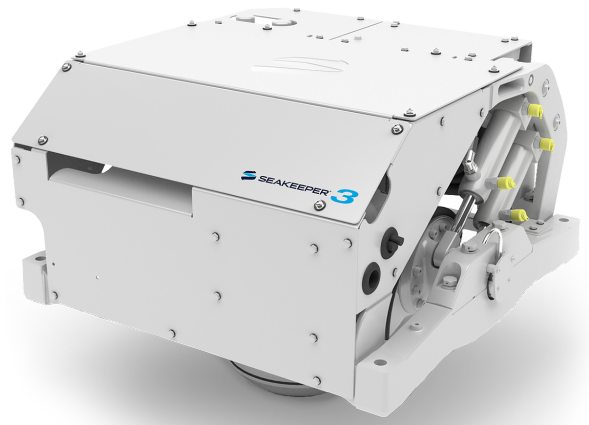


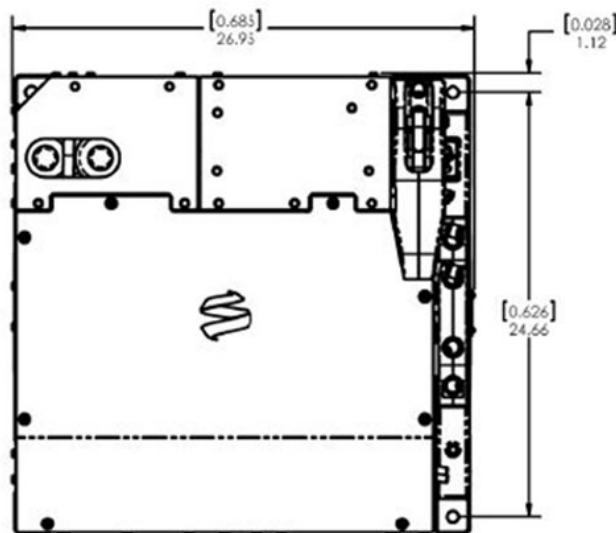
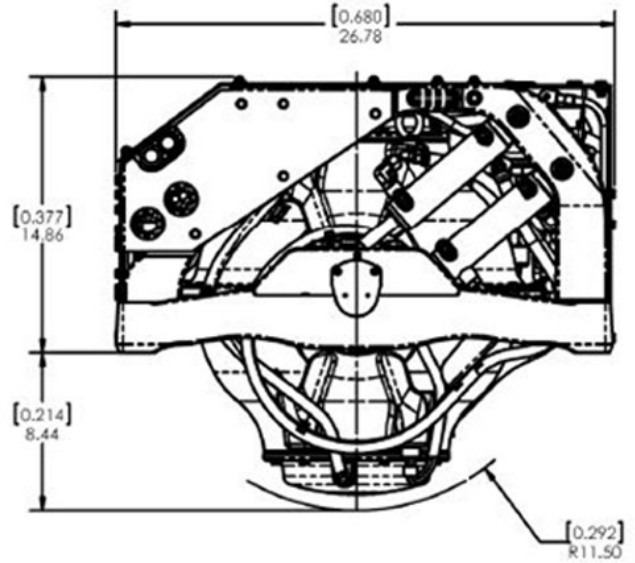
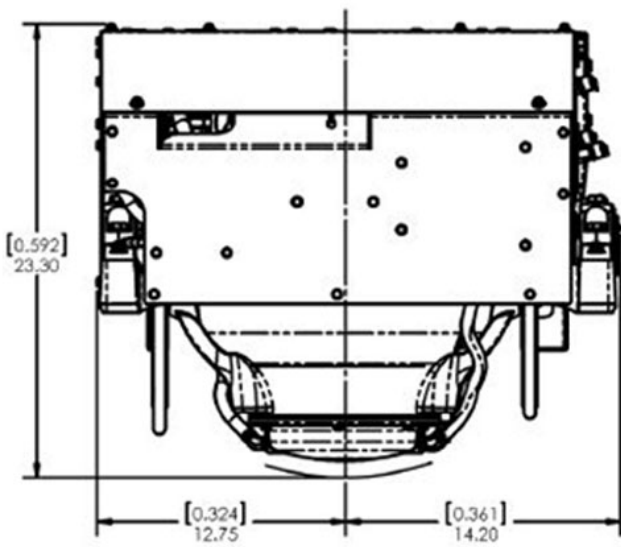
# TECHNICAL SPECIFICATIONS

Max Rated Speed	8,450 RPM
Angular Momentum at Max Rated RPM	3,000 N-M-S
Max Anti-Rolling Torque at Max Rated RPM	7,854 N-M
Spool-up Time to Max Rated RPM	50 minutes (8,450 RPM)
Spool-up Time to Stabilization	36 minutes (7,185 RPM)
Power Consumption	
Spool-Up Power	900 Watts Max
Spool-Up Power Input	12 VDC @ 85 Amps
Operating Power	400 - 750 Watts (Sea State Dependent)
Operating Power Input	12 VDC @ 33-62 Amps
Control Power	125 Watts
Control Power Input	12 VDC @ 10 Amps
Seawater Pump Power Input Over Current Protection based on installed pump rating	12 VDC @ 15 Amps Max
Weight	550 lbs (249 kg)
Envelope Dimensions	26.8 L x 27.0 W x 23.3 H (inches) 0.680 L x 0.685 W x 0.592 H (meters)
Noise Output	<72 dBC at 1 meter
Seawater Supply to Heat Exchanger	2 - 6 Gal/Min.
Ambient Air Temperature	0 - 60 Deg. C (32 - 122 Deg. F)

Marine Service Asia offers the details of this device in good faith but cannot guarantee or warrant the accuracy of this information nor warrant the condition of the device.



# DRAWINGS



Marine Service Asia offers the details of this device in good faith but cannot guarantee or warrant the accuracy of this information nor warrant the condition of the device.